

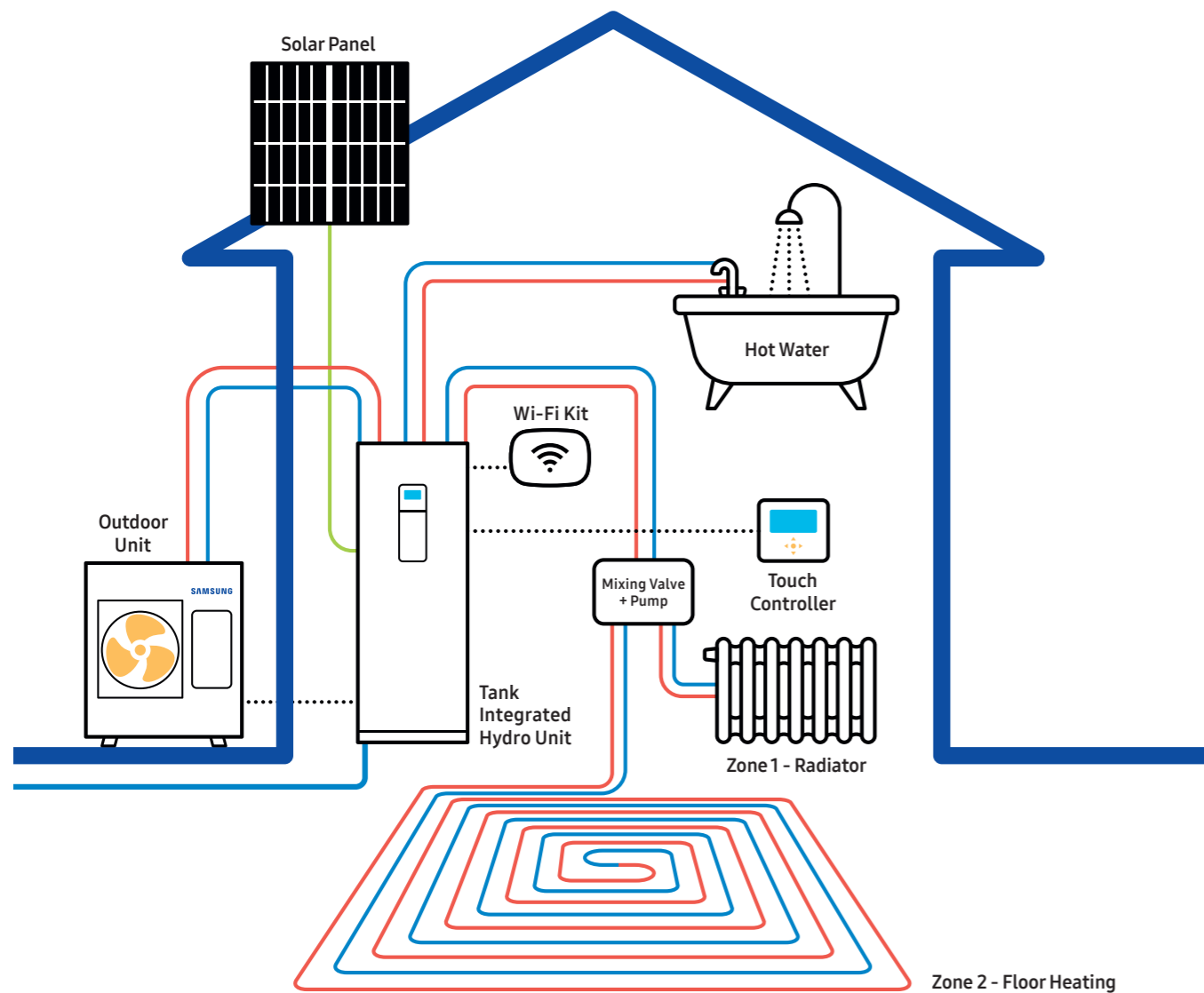
# Product Categories

## Mono

With its Tank Integrated Hydro Unit, ClimateHub Mono works as a total Samsung solution. Thanks to the Samsung Mono control kit, the Mono can connect to third party equipment such as a Domestic Hot Water (DHW) tank. A ClimateHub Mono or Mono configuration consists of a single outdoor unit, that includes the hydronic components and therefore eliminates the need to make space for refrigerant piping, making it easy to install and use. The potential of the ClimateHub Mono system can be maximised by connecting to Smart Grid or Solar Power (PV).

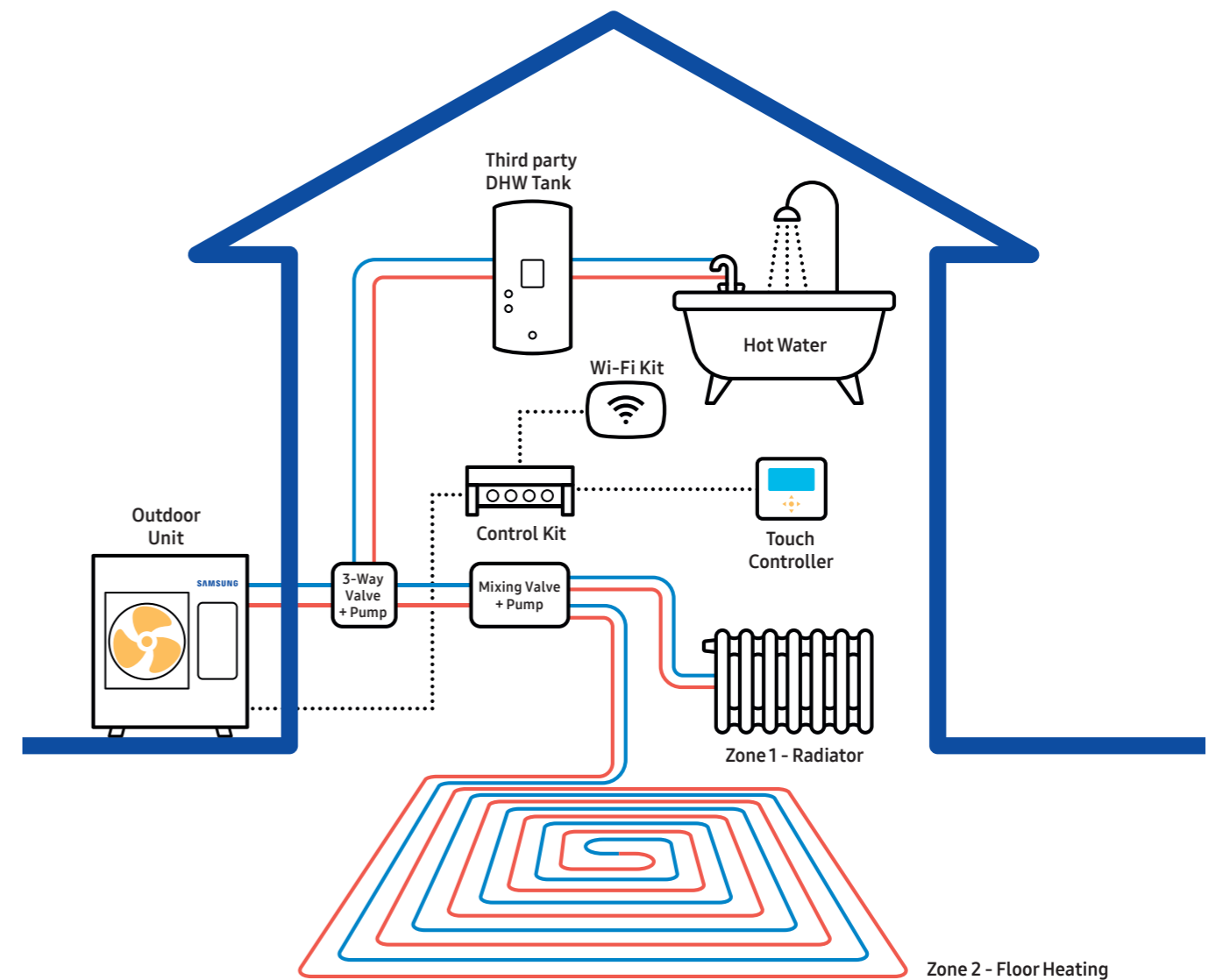
### ClimateHub Mono

Total integrated Samsung solution.



Schematic drawings are for illustrative purposes only. For accurate installation information please consult the technical data book. Solar panels, underfloor heating panels, radiators and non-integrated components are not provided by Samsung unless specified otherwise.

### Mono



Schematic drawings are for illustrative purposes only. For accurate installation information please consult the technical data book. Third party DHW tank, underfloor heating panels, radiators and non-integrated components are not provided by Samsung unless specified otherwise.

# Specifications

Mono **R32**

- Intuitive, colour screen touch controller in multiple languages
- Energy monitoring through touch controller
- 2-zone control, suitable for floor heating and radiators
- SmartThings compatible with optional Wi-Fi Kit



		Outdoor Unit		Control Kit		AE050RXYDEG/EU	AE080RXYDEG/EU	AE120RXYDEG/EU	
						MIM-E03CN	MIM-E03CN	MIM-E03CN	
System	Operation	Nominal Capacity	Heating A7/W35 <sup>1</sup>	W		5.000	8.000	12.000	
			Cooling A35/W18 <sup>1</sup>	W		5.000	7.500	12.000	
		Power Input (Nominal)	Heating A7/W35 <sup>1</sup>	W		1.030	1.770	2.650	
			Cooling A35/W18 <sup>1</sup>	W		1.140	1.900	2.770	
		COP (Nominal Heating) A7/W35 <sup>1</sup>			W/W		4,85	4,52	4,53
		EER (Nominal Cooling) A35/W18 <sup>1</sup>			W/W		4,39	3,95	4,33
		Leaving Water Temperature <sup>2</sup>	Heating	°C		15-65	15-65	15-65	
			Cooling	°C		5-25	5-25	5-25	
		Ambient Temperature	Heating	°C		-25-35	-25-35	-25-35	
			Cooling	°C		10-46	10-46	10-46	
			DHW	°C		-25-43	-25-43	-25-43	
		Functions	2-Zone Control <sup>3</sup>			-	•	•	•
Outdoor Unit	Power Supply			Φ, V, Hz		1Φ, 220-240V, 50Hz	1Φ, 220-240V, 50Hz	1Φ, 220-240V, 50Hz	
	Compressor	Type			-	BLDC Twin Rotary	BLDC Twin Rotary	BLDC Twin Rotary	
	Base Heater				-	-	•	•	
	Sound	Sound Pressure <sup>4</sup>	Heating Std	dB(A)		45	48	50	
			Cooling Std	dB(A)		45	48	50	
		Sound Power	Heating Std	dB(A)		61	63	64	
			Cooling Std	dB(A)		62	64	65	
	Dimensions	Net Weight		kg		58,5	76,0	110,0	
		Net Dimensions (WxHxD)		mm		880 x 798 x 310	940 x 998 x 330	940 x 1,420 x 330	
	Refrigerant	Type			-	R32	R32	R32	
		Factory Charging		tCO <sub>2</sub> e		0,68	0,78	1,49	
				kg		1,00	1,15	2,20	

## Accessories



Touch Controller	Wi-Fi Kit	External Thermostat
MWR-WW10N	MIM-H04EN	MRW-TA



AE160RXYDEG/EU	AE080RXYDGG/EU	AE120RXYDGG/EU	AE160RXYDGG/EU
MIM-E03CN	MIM-E03CN	MIM-E03CN	MIM-E03CN
16.000	8.000	12.000	16.000
14.000	7.500	12.000	14.000
3.620	1.770	2.650	3.620
3.280	1.900	2.770	3.280
4,42	4,52	4,53	4,42
4,27	3,95	4,33	4,27
15-65	15-65	15-65	15-65
5-25	5-25	5-25	5-25
-25-35	-25-35	-25-35	-25-35
10-46	10-46	10-46	10-46
-25-43	-25-43	-25-43	-25-43
•	•	•	•
1Φ, 220-240V, 50Hz	3Φ, 380-415V, 50Hz	3Φ, 380-415V, 50Hz	3Φ, 380-415V, 50Hz
BLDC Twin Rotary	BLDC Twin Rotary	BLDC Twin Rotary	BLDC Twin Rotary
•	-	•	•
52	48	50	52
54	48	50	54
66	63	64	66
68	64	65	68
110,0	75,0	111,0	111,0
940 x 1,420 x 330	940 x 998 x 330	940 x 1,420 x 330	940 x 1,420 x 330
R32	R32	R32	R32
These products contain R32 (GWP=675) which is fluorinated greenhouse gas.			
1,49	0,78	1,49	1,49
2,20	1,15	2,20	2,20



<sup>1</sup>A2W Conditions : (Heating) Water In/Out 30°C/35°C, Outdoor Air °C[DB]/6°C[WB]; (Cooling) Water In/Out 23°C/18°C, Outdoor Air 35°C[DB].

<sup>2</sup>65°C down to +10°C (max. 60°C down to -5°C)

<sup>3</sup>When combined with external thermostat.

<sup>4</sup>Sound pressure level is obtained in an anechoic room. Sound pressure level is a relative value, depending on the distance and acoustic environment. Sound pressure level may differ depending on operation conditions.

# Specifications

## Mono Control Kit

- Includes remote controller and flow sensor
- Mounting box with the control printed board assembly
- Leaving and return water sensors
- Domestic Hot Water sensor



Model		MIM-E03CN
Compatible With	-	EHS R32 Mono ODU
Power Supply	Ø, #, V, Hz	1, 2, 220-240, 50
External Control	Booster Heater	-
	Back up Heater (/Boiler)	-
	Water Pump	-
	2way(or 3way) Valve	-
	Room Thermostat	-
	Solar Pump	-
	Inverter Pump	-
	3way Mixing Valve	-
	Net Weight	kg
Net Dimensions (WxHxD)	mm	290 x 110 x 370 (TBD)

## Wi-Fi Kit



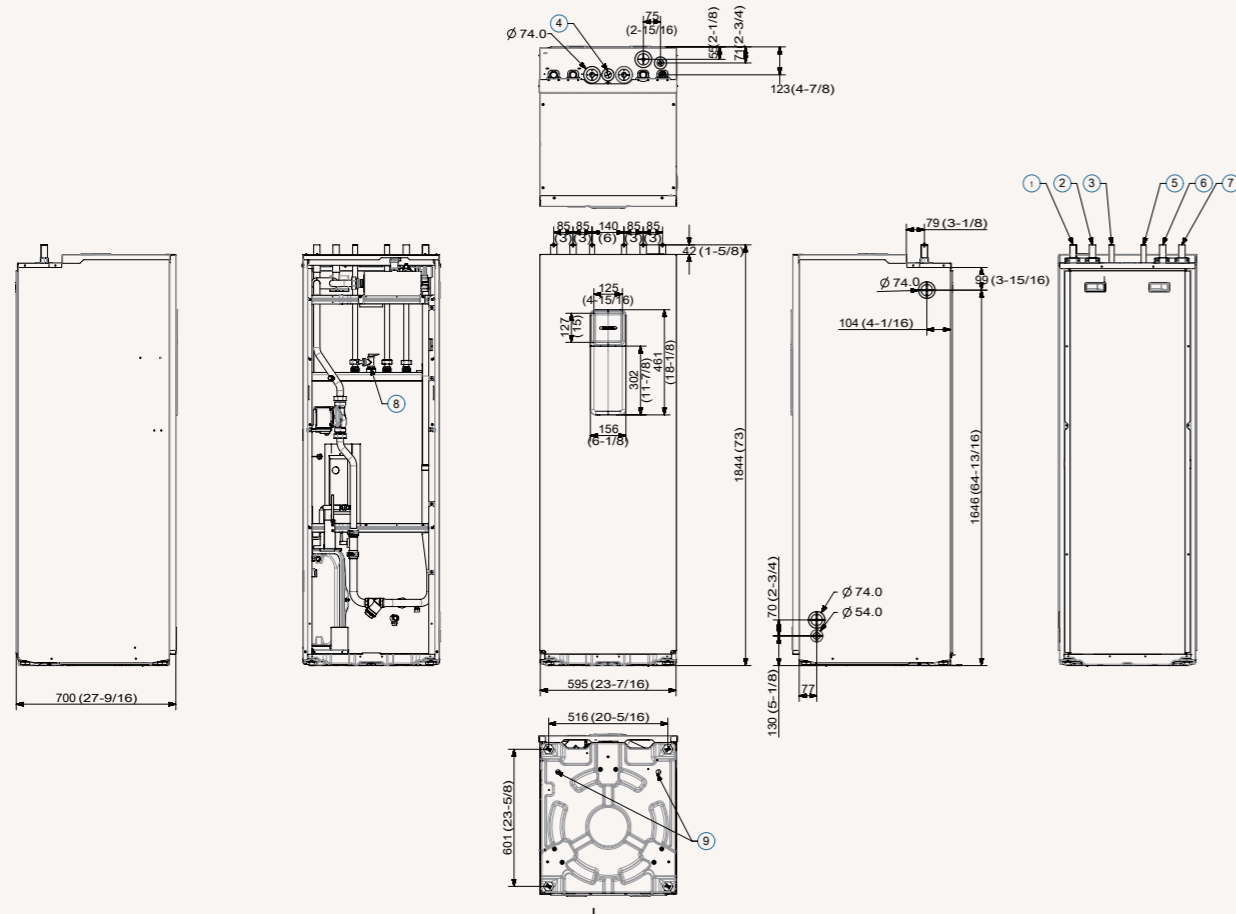
Model		MIM-H04EN
Fan	Compatible Controller	MWR-WW10N (R32)
	Max Connected IDU	16
	App	SmartThings
	Voice recognition	Bixby
	Welcome Cooling/Heating	Geofencing
	Automation	Customized control with a variety of execution rules
	Add scene	Easy control throughout customized user mode
	Energy monitoring	Individual power monitoring up to 16 outdoor units.
Product Size (mm) WxHxD		185 x 130 x 29



# Dimensional Drawings

## Mono Tank Integrated Hydro Unit

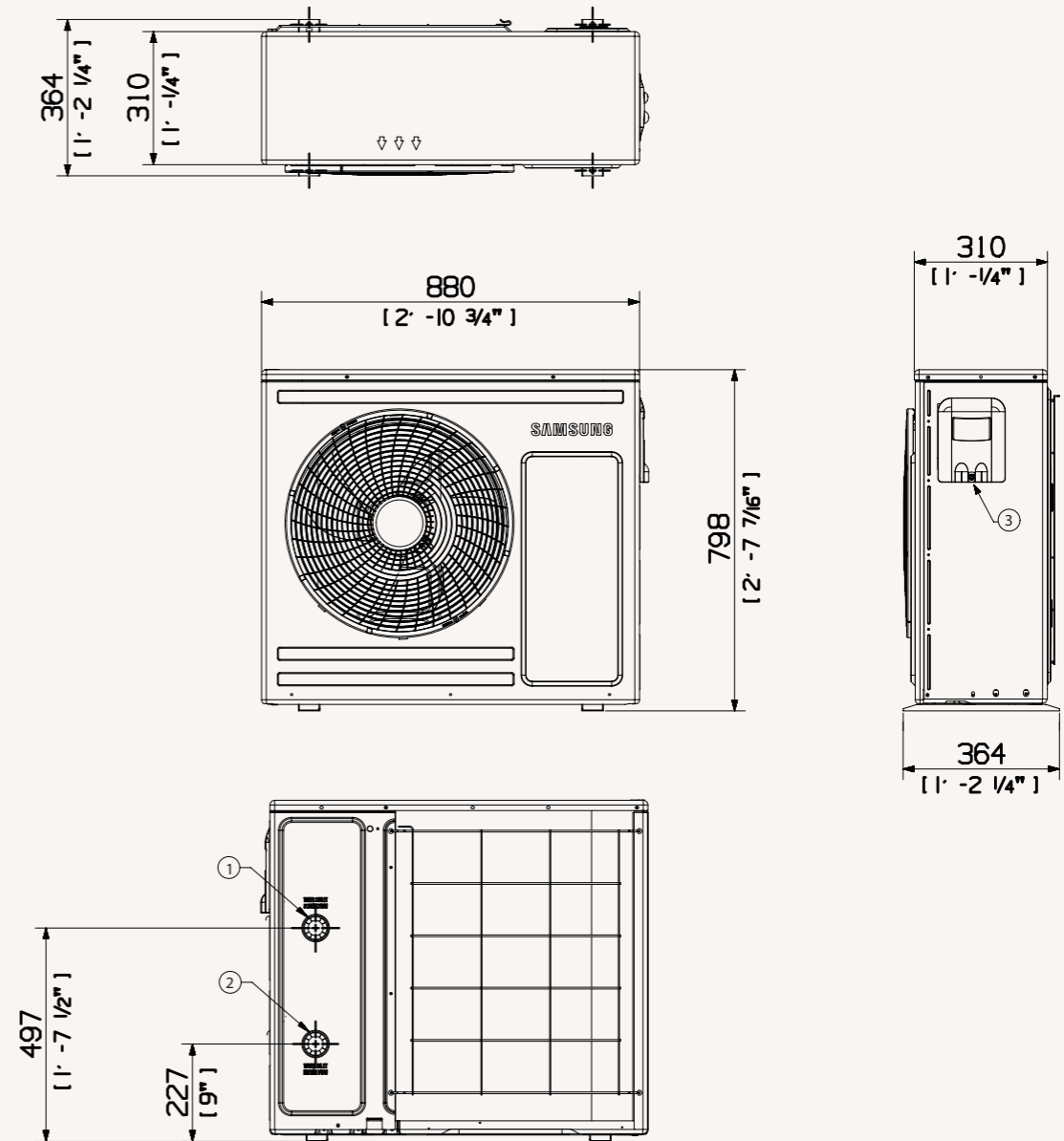
AE200/260RNW\*\*G/EU



NO	Name	Description	
		AE200RNWSEG/EU	AE260RNWM*G/EU
1	Space heating Inlet	ø28	ø28
2	Space heating Outlet	ø28	ø28
3	DHW Inlet	ø22	ø22
4	Secondary water return	N/A	ø22
5	DHW Outlet	ø22	ø22
6	Heat Pump In	ø28	ø28
7	Heat Pump Out	ø28	ø28
8	T/Pv/v	Female PT1/2"	Female PT1/2"
9	Drain Holes	(Option) Connect with the provided drain plug	

## Mono Outdoor

AE050RXYDEG/EU

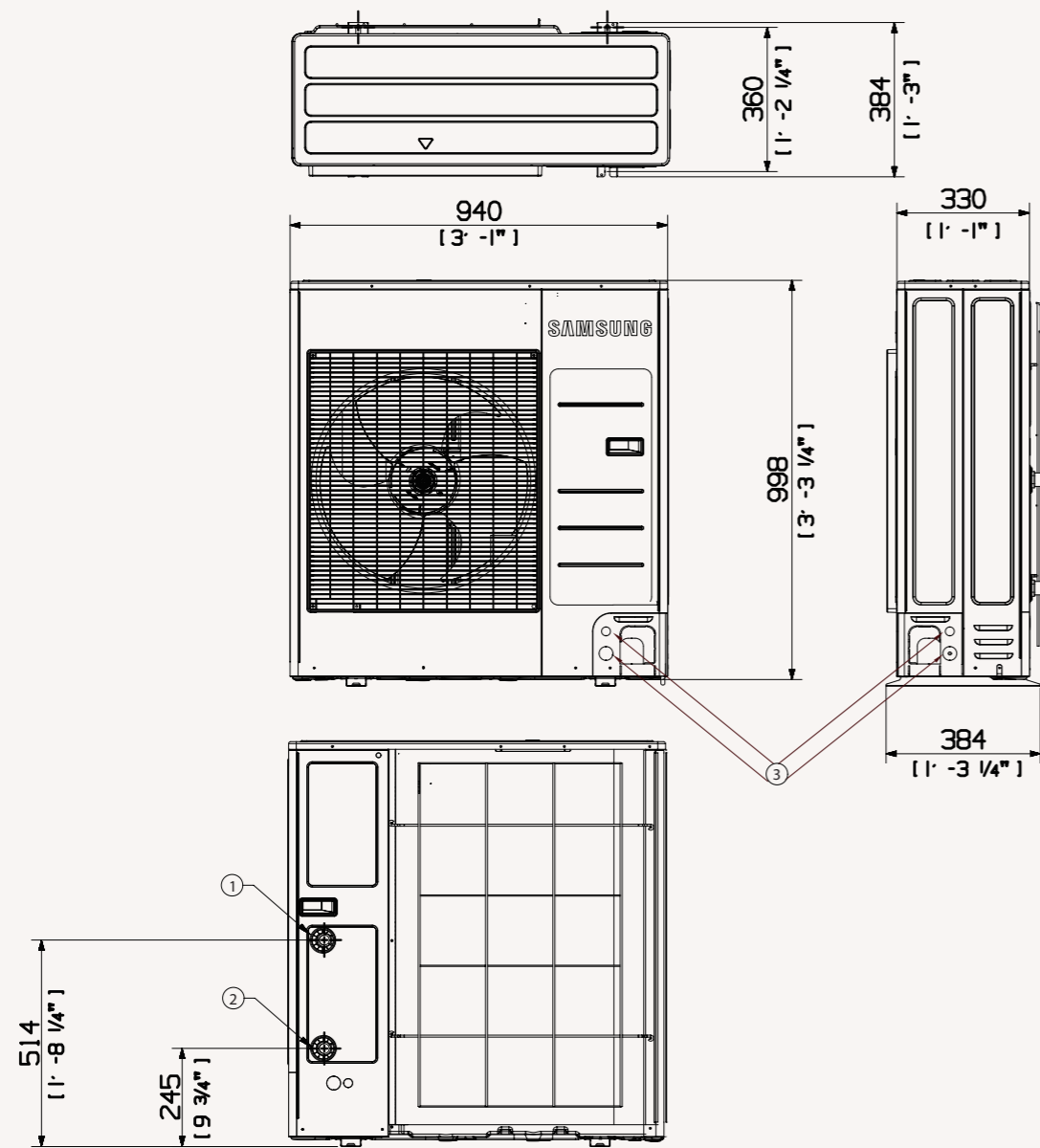


NO	Name
1	Water Pipe(Out)
2	Water Pipe(In)
3	Power & Communication Wiring Conduit Holes

# Dimensional Drawings

## Mono Outdoor

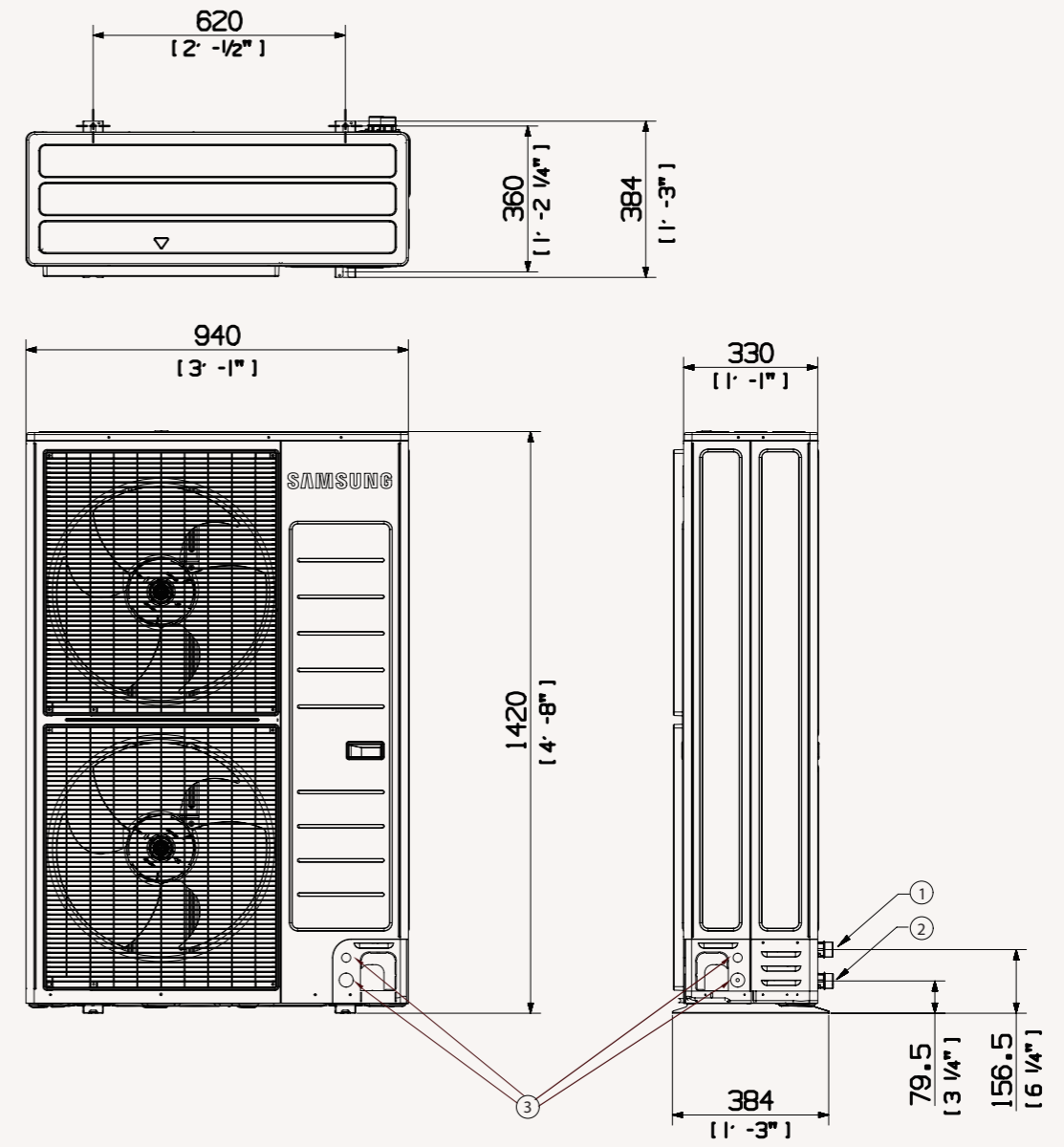
AE080RXD\*G/EU



NO	Name
1	Water Pipe(Out)
2	Water Pipe(In)
3	Power & Communication Wiring Conduit Holes

## Mono Outdoor

AE120/160RXD\*G/EU

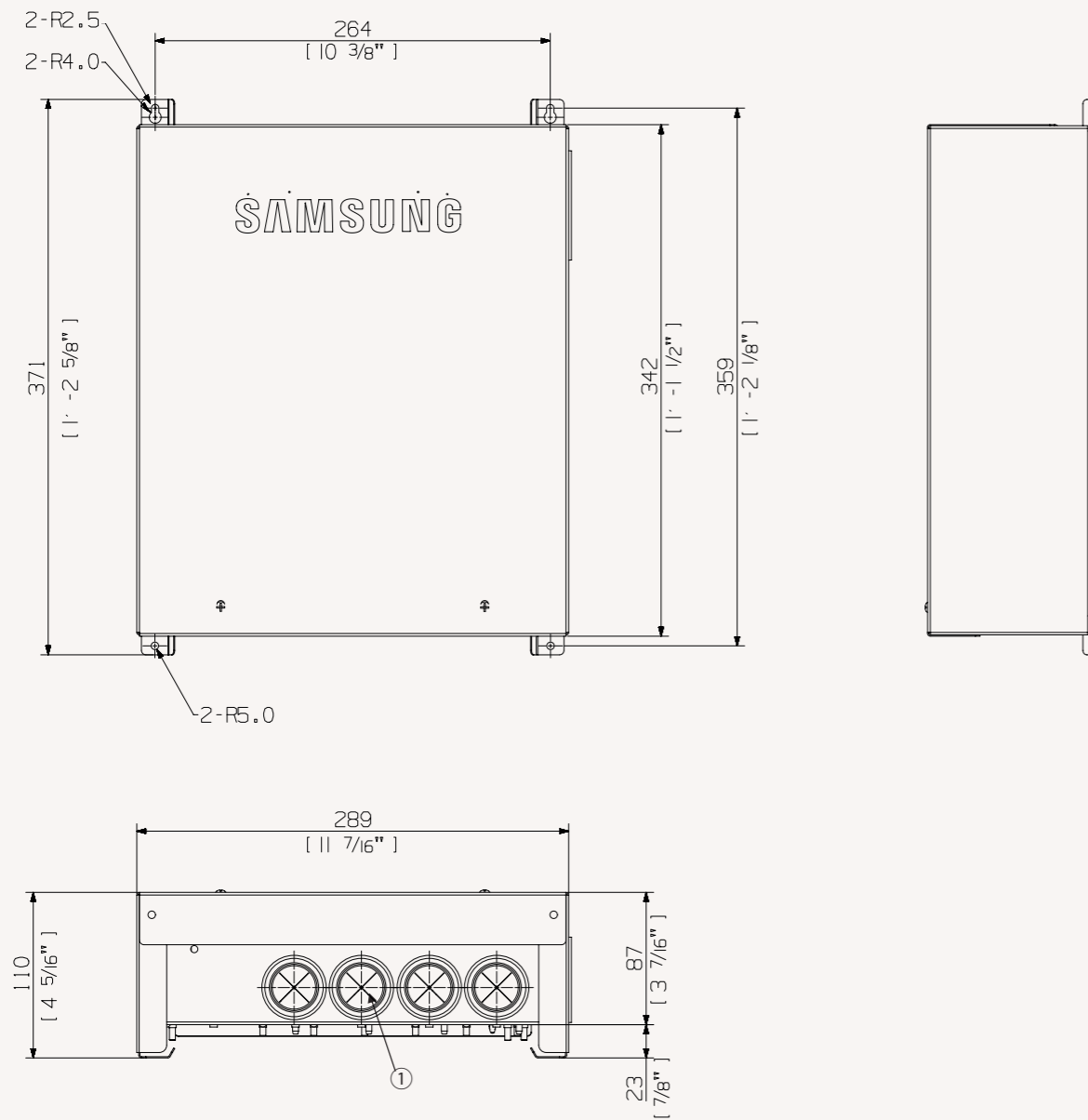


NO	Name
1	Water Pipe(Out)
2	Water Pipe(In)
3	Power & Communication Wiring Conduit Holes

# Dimensional Drawings

## Mono Control Kit

MIM-E03CN



NO	Name
1	Conduit Holes for Wiring (Rubber)

