

Specifications

ERV



Model Name		AN026JSKLN/EU	AN035JSKLN/EU	AN050JSKLN/EU	AN080JSKLN/EU	AN100JSKLN/EU		
Power Supply	Φ, #, V, Hz	1,2,220-240,50/60	1,2,220-240,50/60	1,2,220-240,50/60	1,2,220-240,50/60	1,2,220-240,50/60		
Performance	Air Volume	m ³ /h	260	350	500	800	1000	
	Temperature Exchange Efficiency	Cooling Turbo/High/Low	%	70/70/74	70/70/74	70/70/74	70/70/74	70/70/74
		Heating Turbo/High/Low	%	74/74/75	78/78/79	74/74/75	77/77/78	74/74/75
	Effective Enthalpy Exchange Efficiency	Cooling Turbo/High/Low	%	50/50/55	50/50/55	50/50/55	50/50/55	50/50/55
Heating Turbo/High/Low		%	70/70/76	70/70/76	70/70/76	70/70/76	70/70/76	
Power	Power Input	Turbo/High/Low	W	115/80/45	115/80/50	175/120/65	330/230/125	450/280/155
	Current Input	Turbo	A	0,7	0,7	1,1	2,1	2,9
Fan	Air Flow Rate	Turbo/High/Low	m ³ /h	260/250/180	350/350/256	500/500/360	800/800/560	1000/1000/690
	External Static Pressure	Turbo/High/Low	Pa	100/65/55	155/100/83	165/100/85	155/90/80	155/90/75
Noise Level	Sound Pressure*	Turbo/High/Low/Quiet	dB	31/28/25/22	32/29/26/23	35/32/28/24	36/33/29/25	37/34/30/26
	Sound Power		dBA					
Field Wiring	Power Source Wire		mm ²	1.5~2.5	1.5~2.5	1.5~2.5	1.5~2.5	1.5~2.5
	Transmission Cable		mm ²	0.75~1.5	0.75~1.5	0.75~1.5	0.75~1.5	0.75~1.5
Dimensions	Net Weight		kg	28,5	42,5	42,5	67	67
	Net Dimensions (W×H×D)		mm	600 x 350 x 660	1012 x 270 x 1000	1012 x 270 x 1000	1220 x 340 x 1135	1220 x 340 x 1135
	Supply/Return/Exhaust/Outside Duct Flange (Ø)		mm	150	200	200	250	250

*Sound level was acquired in an anechoic room. Thus actual noise level may be different depending on the installation conditions.

Accessories

CO2 Sensor

Individual Control System



MOS-C1



MWR-VH12N



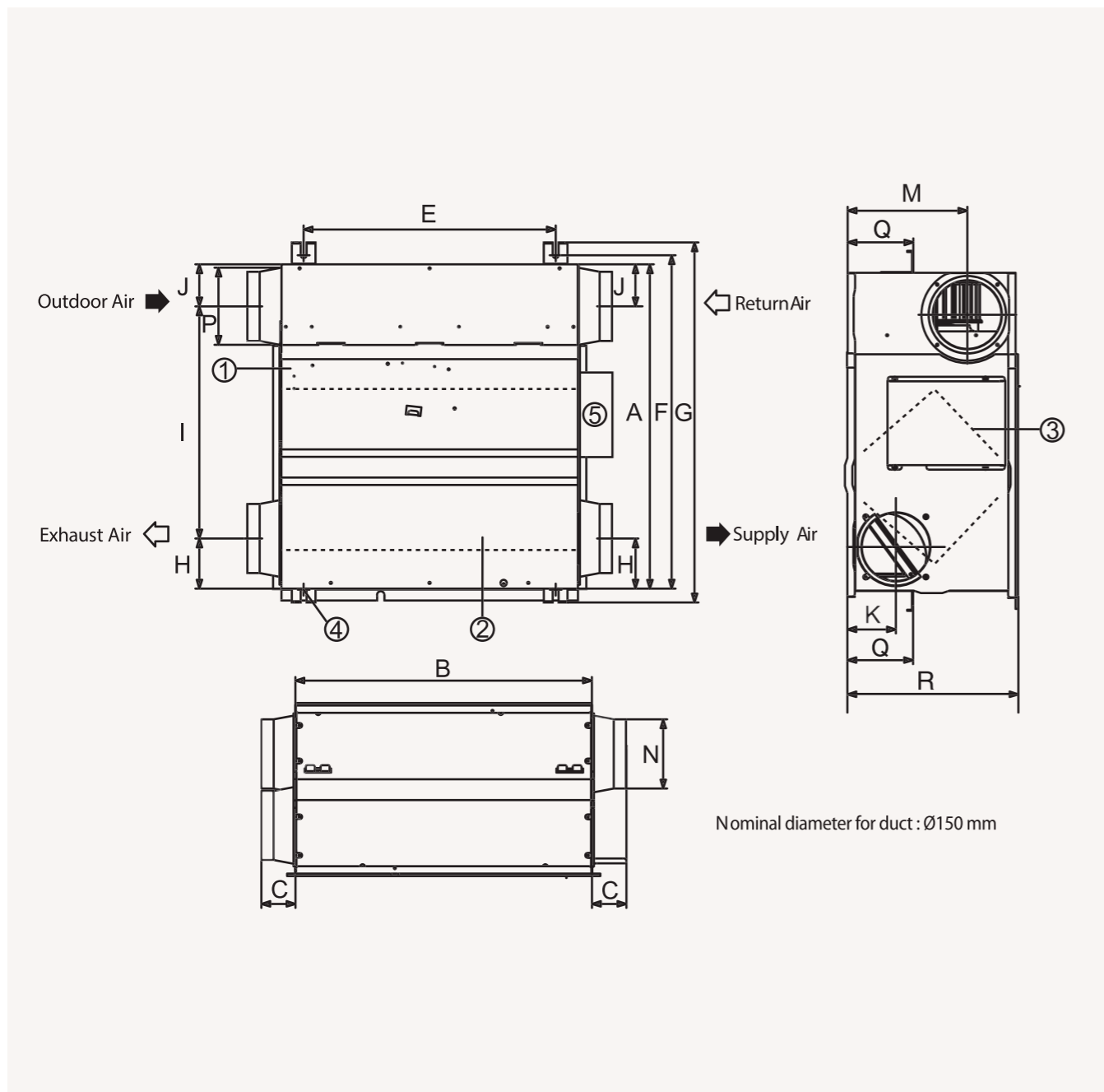
MWR-WE13N

Note: Please order MOS-P1050 separately. Differential pressure switch (model code: MOS-P1050) is mandatory accessory for all ERV and ERV Plus units in EU countries according to Ecodesign Directive 1253/2014.



Dimensional Drawings

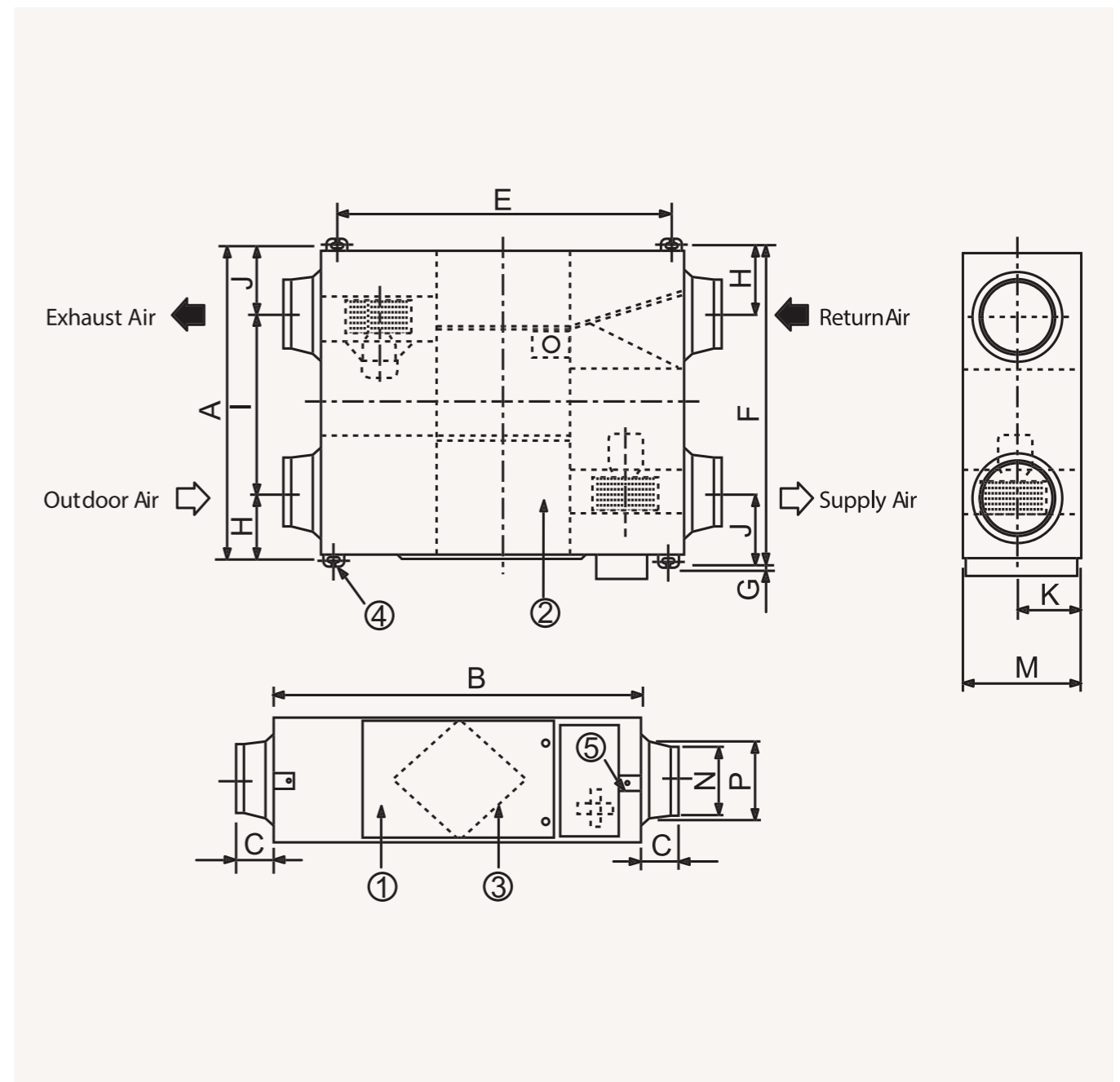
AN026JSKLN/EU



No.	Name	Quantity
1	Maintenance cover	1
2	Heat exchange element	1
3	Dust filter	2
4	Hanger	4
5	Electrical component box	1

Model	A	B	C	E	F	G	H	I	J	K	M	N	P	Q	R
	Length (mm)										Diameter (mm)		Length (mm)		
026	600	660	70	510	675	729	102	470	85	98	242	140	156	133	350

035/050 - 080/100



No.	Name	Quantity
1	Maintenance cover	1
2	Heat exchange element	2
3	Dust filter	4
4	Hanger	4
5	Electrical component box	1

Model	Nominal diameter for duct (mm)
035/050	200
080/100	250

Model	A	B	C	E	F	G	H	I	J	K	M	N	P
	Length (mm)										Diameter (mm)		
035/050	1000	1012	99	940.6	1036.4	26	130	617	253	135	270	194	241.5
080/100	1135	1220	84	1110	1183	25	184	613.25	387.75	170	340	244	270